

# QuadriSpace Publisher3D

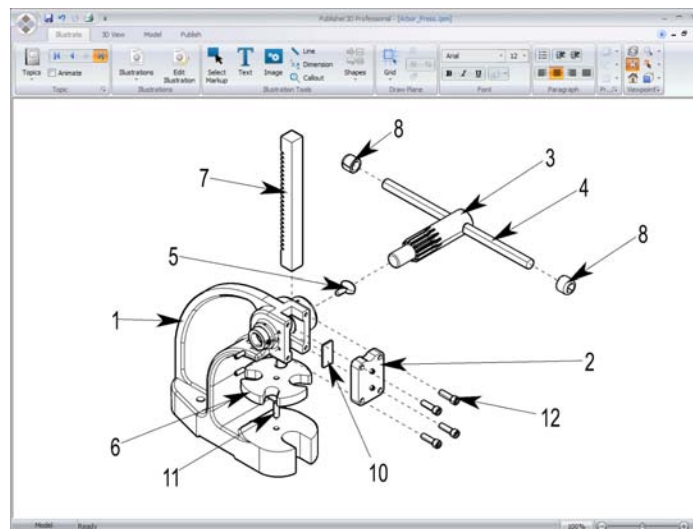
## CREATE TECHNICAL ILLUSTRATIONS, PRODUCT ANIMATIONS AND MORE FROM 3D MODELS

QuadriSpace™ Publisher3D™ is an easy-to-use illustration program that leverages existing 3D data to publish a wide-range of standard graphic, animation or document formats. As easy-to-use as a standard paint program, Publisher3D provides all the 3D power needed by today's illustrators. Publisher3D is document-focused and includes unique capabilities such as tools for directly associating parts lists with illustration call numbers, and an intuitive illustration workspace. Product documentation and graphics are easily created as vector graphics, high-resolution raster graphics, XML DITA topics, complete documents and informative animations. 3D CAD software is NOT required.

Technical illustrations are an important method of communicating information about products

and services. Typically, illustrators do not have access to 3D data and end up redrawing products from scratch using general purpose drawing applications. Today's illustrators are under constant pressure to meet an expanding list of publish requirements and ever tightening timelines.

Customers indicate that by using Publisher3D they get better results in minutes as opposed to weeks using other methods. Using Publisher3D provides multiple benefits including: time-to-market improvements, quality improvements, more effective communication and generally happier customers. In addition, a full library of illustrations can be updated in minutes, rather than hours or days.



Easily create high-quality technical illustrations in a fraction of the time..

“Implementing QuadriSpace helped us jumpstart the creation of the biggest catalog we have ever put out. There was a huge time savings and we were able to utilize informative exploded views to an extent that was previously impractical!”

## Key Benefits

### Lowest Cost of Creating and Maintaining Illustrations

- Minimize the burden on engineering by letting anyone access and reuse of 3D
- Easily create high quality technical illustrations and more
- Save time by publishing the same set of illustrations to multiple media such as raster, vector and animations
- Use a single program to assign descriptive text to illustrations that can be published as complete topics to Word, PDF, RTF, XML, DITA and more

### Automates Illustration Updates

- Update hundreds of illustrations in a single step when 3D CAD designs change.

### Easy To Use

- As easy to install and use as standard paint programs
- Designed to be used by technical illustrators and graphical artists, not just engineers
- Eliminates the need to draft illustrations from scratch with general purpose programs

### Powerful 3D Tools

- Includes all the 3D tools needed to create illustrations and animations
- Easily manage call numbers by associating illustrations with a parts list
- Exceptional tools for managing and working with large models

### Affordable

- Highly competitive pricing allows entire teams to benefit
- No need to purchase expensive and complicated 3D CAD tools for non-engineers



[www.quadrispace.com](http://www.quadrispace.com)

705 North Greenville, Suite 800

Allen, TX 75002

United States

+1 (972) 359-8488

+1 (972) 359-7003 (Fax)

[sales@quadrispace.com](mailto:sales@quadrispace.com)